

# AE361 Project (Group 2)

—

Flying Wing

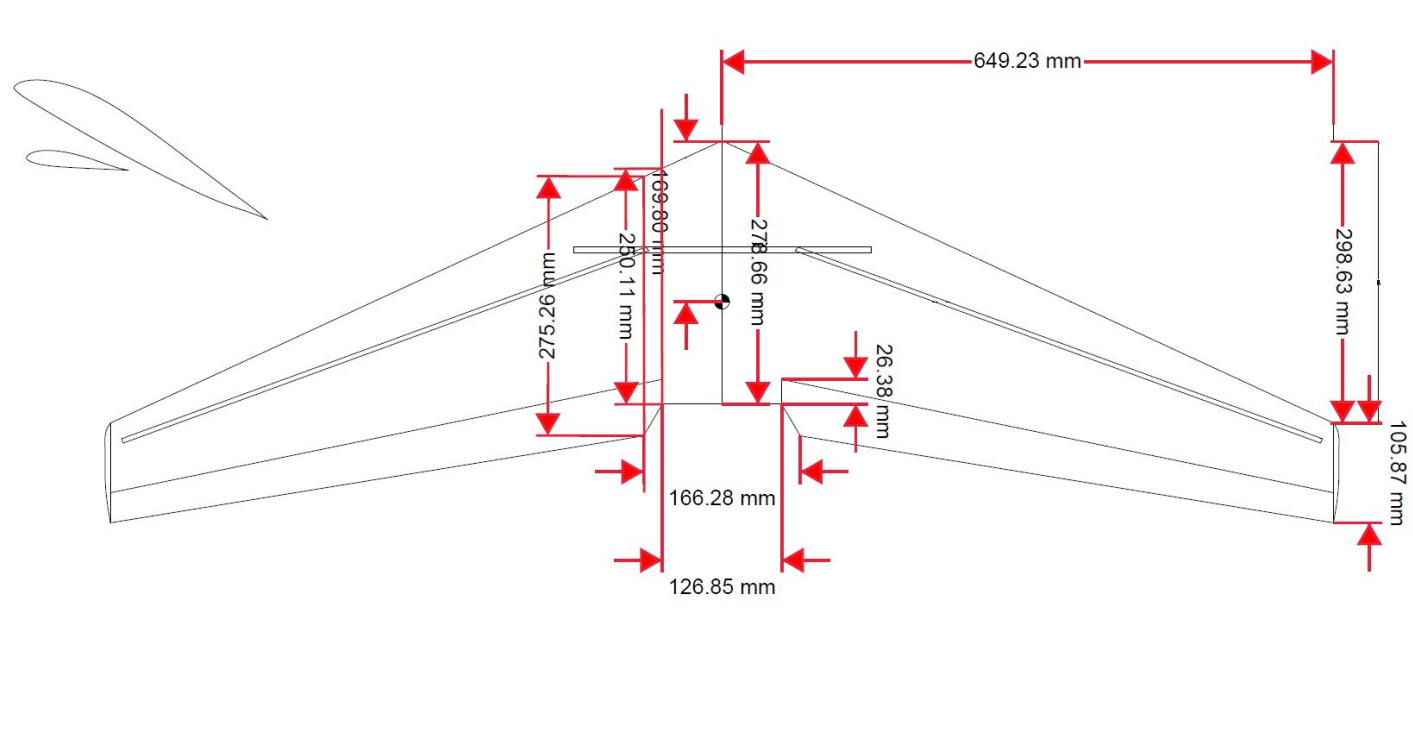
# Flying Wing



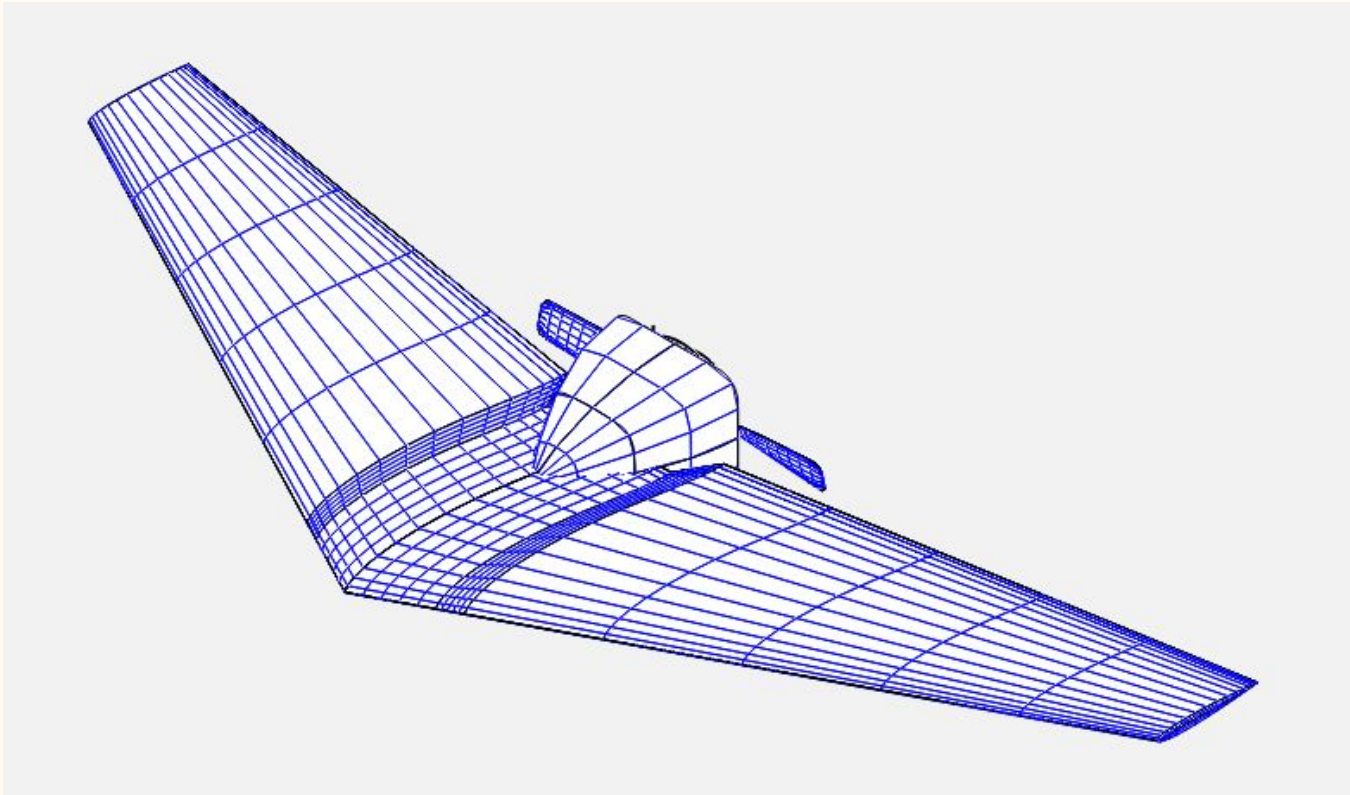
# Components

- Propeller Fan
  - Propeller Motor
  - Servo Motor
  - Styrofoam
  - Battery
-

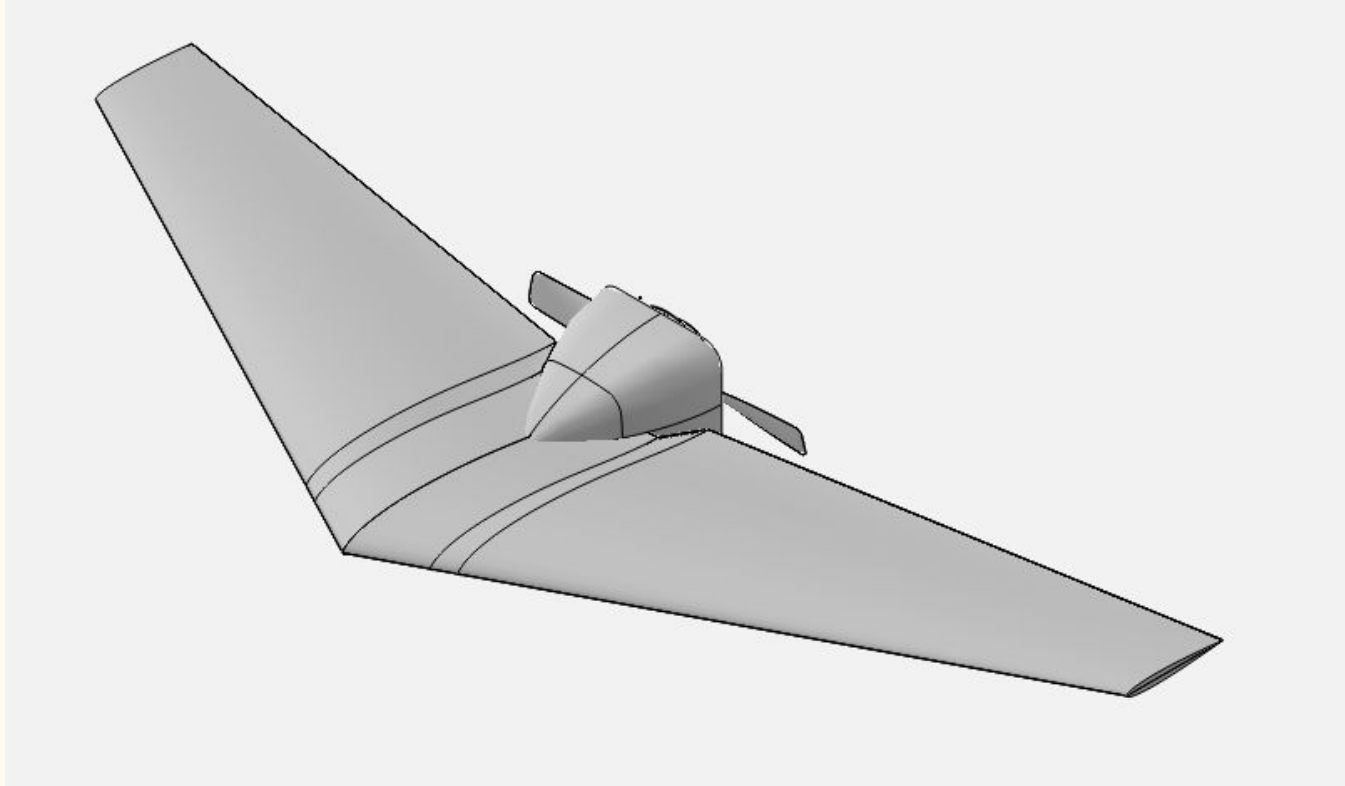
# Sketch



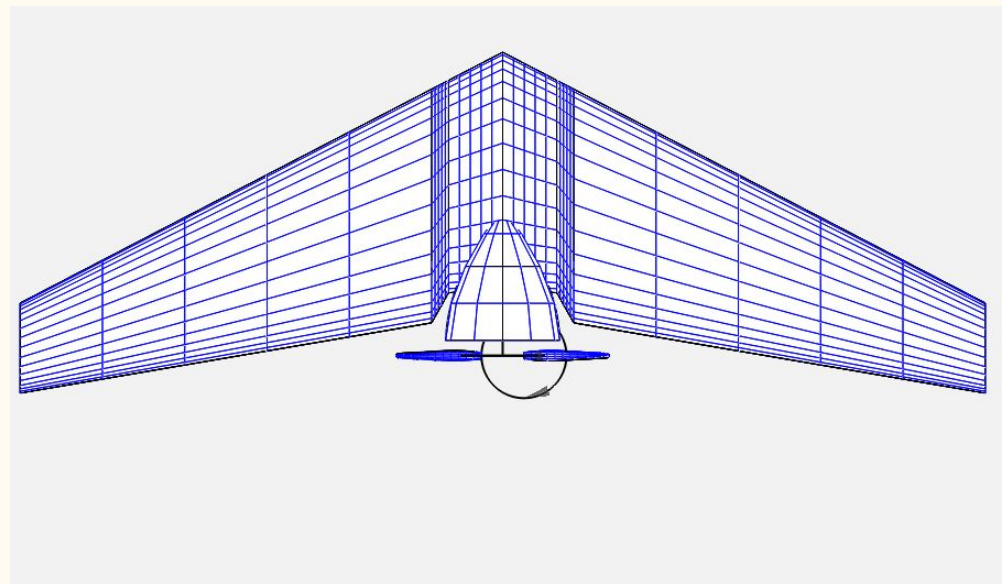
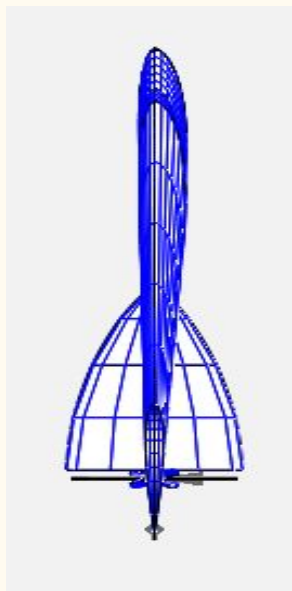
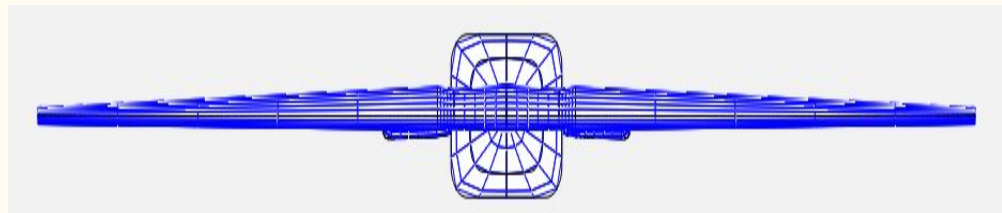
# Model Design



# Isometric Drawing

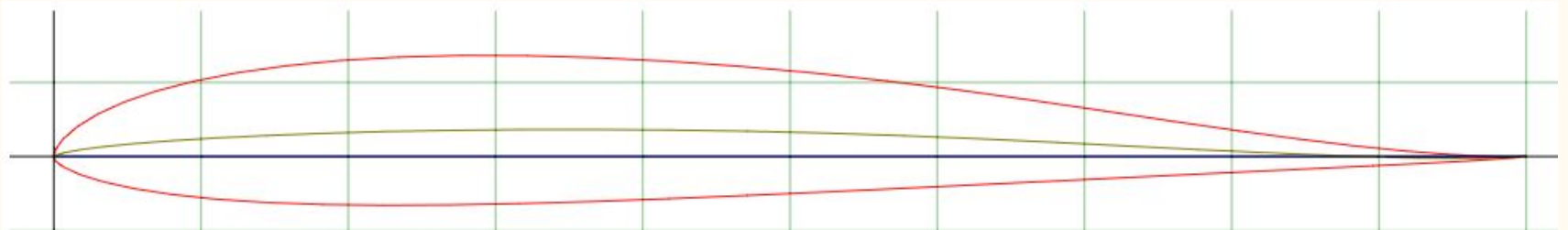


# Drawing



# Airfoil (MH 60)

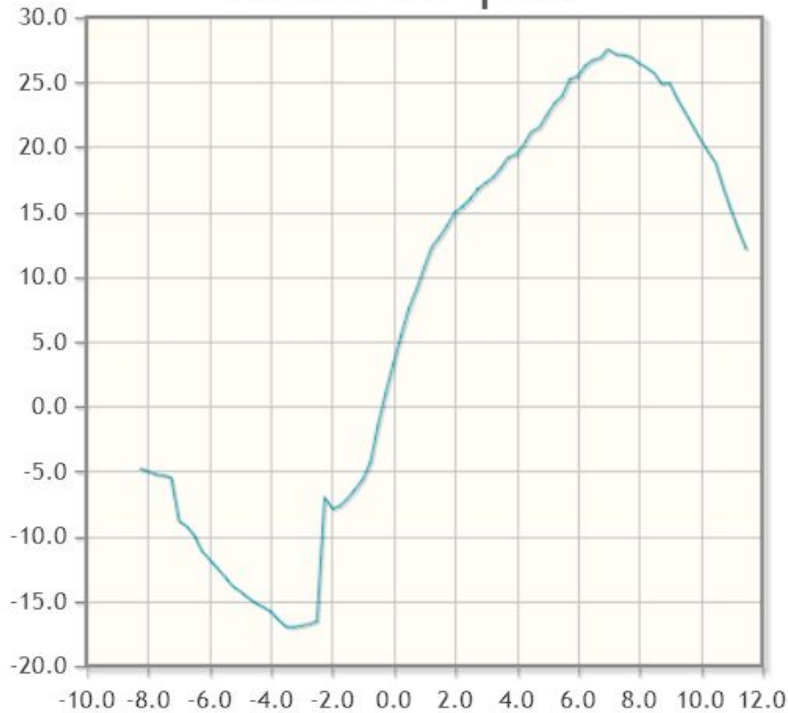
- Max thickness 10.1% at 26.9% chord.
- Max camber 1.7% at 36.6% chord
- Low moment coefficient of cm  $c/4 = +0.0140$ .



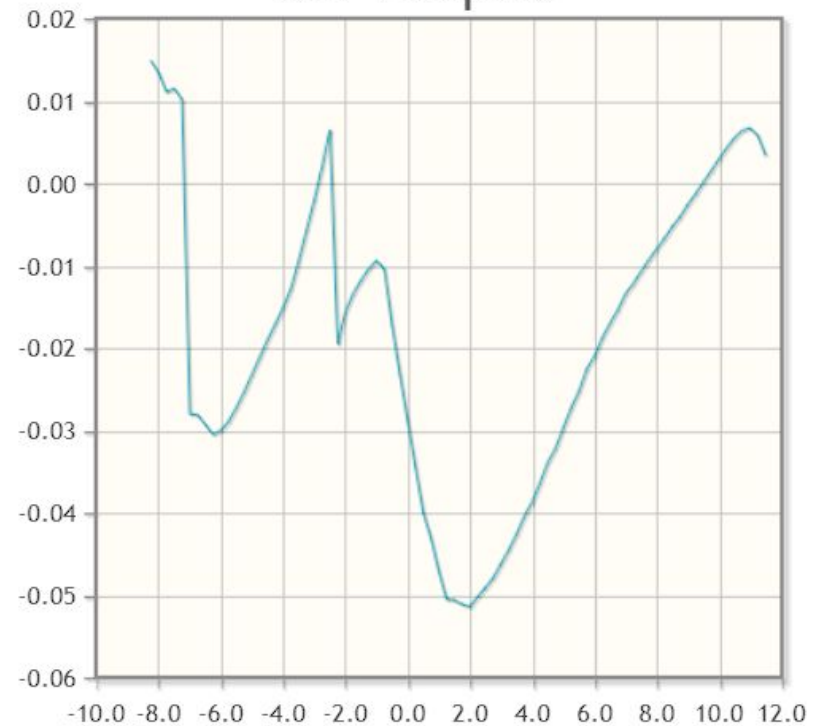


# Airfoil (MH 60)

## $C_l/C_d$ v Alpha



## $C_m$ v Alpha



# Fabricated Model



# Test Flights



Uncontrolled Flight



Straight Flight with Nose Down Crash



Best Crash

Thank You.

